

Specification

Model No.	Voltage		Air Volume		Consumption	Noise	Weight	Installation Space	Duct Size
	[V]	[Hz]	[m³/h]	[CFM]	[W]	[dB (A)]	[kg]	[mm]	[mm]
FV-24CURV1	220	50	140	82	11	25	2.9	240 x 240	ø 100
	230	50	150	88	11.5	26			
	240	50	160	94	12.5	27			
FV-24CHR1	220	50	200	118	17	32	2.9	240 x 240	ø 100
	230	50	210	124	18.5	34			
	240	50	210	124	20	35			
FV-24CUR1	220	50	140	82	11	25	2.8	240 x 240	ø 100
	230	50	150	88	11.5	26			
	240	50	160	94	12.5	27			
FV-24CHR1	220	50	200	118	17	32	2.8	240 x 240	ø 100
	230	50	210	124	18.5	34			
	240	50	210	124	20	35			
FV-24CU8	220	50	140	82	10.5	25	2.7	240 x 240	ø 100
		50	150	88	11	26			
	230	60	150	88	13.5	26.5			
		240	50	160	94	12			
FV-24CD8	220	50	170	100	13.5	28.5	2.7	240 x 240	ø 100
		50	180	106	15	30			
	230	60	180	106	19	31			
		240	50	190	112	16.5			
FV-24CH8	220	50	200	118	16.5	32	2.7	240 x 240	ø 100
		50	210	124	18	34			
	230	60	200	118	22.5	34			
		240	50	210	124	19.5			
FV-17CU8	220	50	85	50	7.5	23	1.7	177 x 177	ø 100
		50	85	50	8.5	24.5			
	230	60	85	50	10	24			
		240	50	90	53	9.5			

Note :

- The value of power consumption, air volume and noise are specified at the static pressure of 0 Pa
- The value of air volume is the mean value measured by our company.
- The values of noise level is the average of three values measured at 1m apart from left, right and directly beneath the product.
- The values of noise level is the mean of A weighted average sound pressure level measured by our company.



Living in Fresh Environment
**Ceiling Mount
 Ventilating Fan**



Sensor Series



Standard Series

General Feature (for Sensor and Standard Series)

Achieve reduction of power consumption and noise by the optimized product structure



Switch for Pre-set Humidity / Off Delay Timer (for FV-24CHR1 and FV-24CUR1)

Standard Series



Long Life

- The unique design of HP(Half Pitch) motor, incorporates with well lubricated ball bearings, temperature rise is reduced that prolongs motor lifetime and product durability
- Frame assembly made of ZAM alloy coated steel enhances rust protection
- Louver adopts PP material that is comparatively higher chemical resistant and weatherability than ABS material of previous model



Highly Efficient

- Taper blade design effectively controls the turbulence surrounding the blade. Strong and smooth ventilation performance is achieved while noise level is reduced, by whole of the blade
- Curve-shaped backdraft shutter results in further improvement of air tightness and strength



Super Low Noise

- The integrated casing and orifice minimizes the transmission of noise from the fan and motor to exterior. This technology further reduces the operation noise to incredibly low level by "Resonance-Noise-Absorption" operation, which creates a tranquility and silent environment for your life



Easy Installation

- Cassette type discharge adaptor facilitating installation of the product, as well as duct connecting work
- Spring-clip louver allows convenient installation and removal of louver

Auto Operation (for Sensor Series)

Motion Sensor

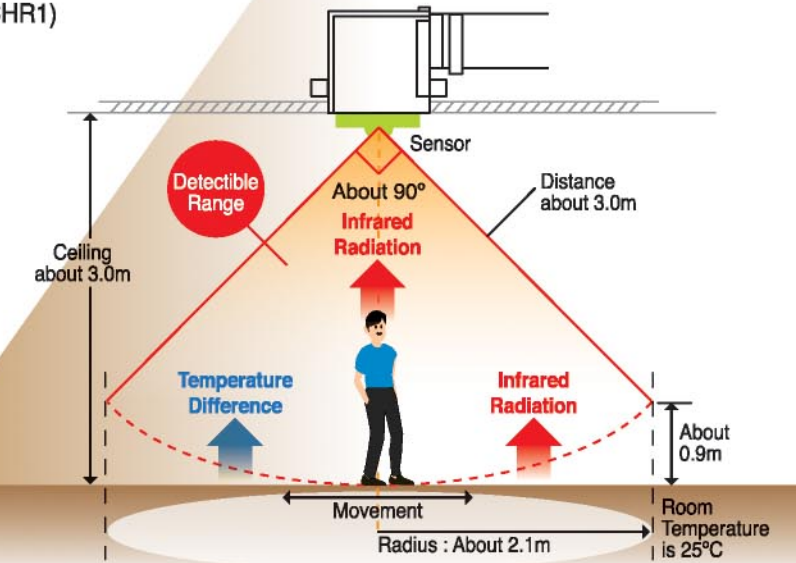
(for FV-24CURV1, FV-24CUR1, FV-24CHR1 and FV-24CHR1)

You may forget to switch off the fan after using the toilet/bathroom, then you have to walk back for switching off the fan afterwards.

Ventilating fan with motion sensor can be switched on automatically when you enter the room and switched off itself again after you leave.

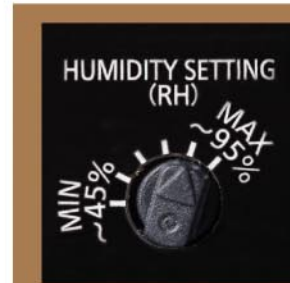
Note:

- It may be difficult to sense in the following cases
- When there is almost no human movement
- When the room temperature is close to the body temperature
- There is an obstacle such as a shelf near the product



Humidity Sensor

(for FV-24CURV1 and FV-24CHR1)



Humidity Level Setting : 45% - 95% (6 interval)

High level of humidity is often the result of vapor and steam generated by bathing that leads to discomfort and dampness problems in the house.

Ventilating fan with humidity sensor can help remove excess moisture from the room. The fan will

be switched on when room humidity rises to the pre-set level and vice versa.

Also, during humid seasons, the fan will be activated as the room humidity reaches the pre-set level for ventilation effect. (Default Setting : 85%)

Off Delay Timer

(for FV-24CURV1 and FV-24CHR1)



Off Delay Timer Setting for Humidity Sensing

Sensor ventilating fans are equipped with Off Delay Timer which allow the fans to exhaust residual moisture and smell for pre-set duration after you leave the room. As motion is not detected or the room humidity is lower than the pre-set level, the fan continues the operation until pre-set time elapse.

Pre-set Delay Duration

Motion Sensing : 15 minutes (default)

Humidity Sensing : OFF / 0.25 / 0.5 / 1 / 2 / 3 / 4 / 5 / 6 hours

(Default Setting : 1 hour)

Motion Sensing	Unoccupied	Motion Sensed	Occupied	Unoccupied Elapse Time 15min.	Unoccupied
	Pre-set Humidity Level				
Humidity Sensing			Room Humidity		
Room Humidity	< Pre-set Level	>= Pre-set Level	>= Pre-set Level	< Pre-set Level Elapse Time 0.25 - 6 hours	< Pre-set Level
Operation	Stop	Sensor Activated	Operation	Delay Timer Operation	Stop

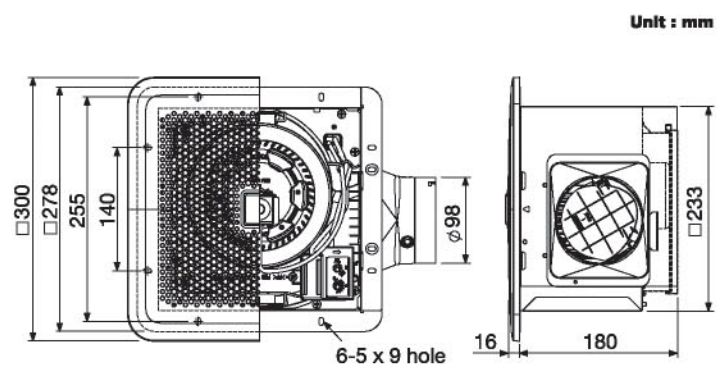
Ceiling Mount Ventilating Fan



Sensor Series

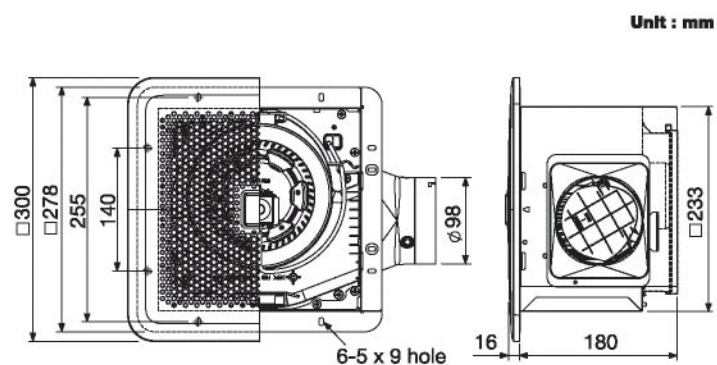
■ FV-24CURV1 ■ FV-24CHR1

- Auto operation by motion sensor and humidity sensor
- Off delay timer (6 selections)
- HP (half pitch) motor with ball bearing
- Taper blade sirocco fan
- Curve-shaped backdraft shutter
- Super low noise level



■ FV-24CUR1 ■ FV-24CHR1

- Auto operation by motion sensor
- Off delay timer (15 minutes)
- HP (half pitch) motor with ball bearing
- Taper blade sirocco fan
- Curve-shaped backdraft shutter
- Super low noise level



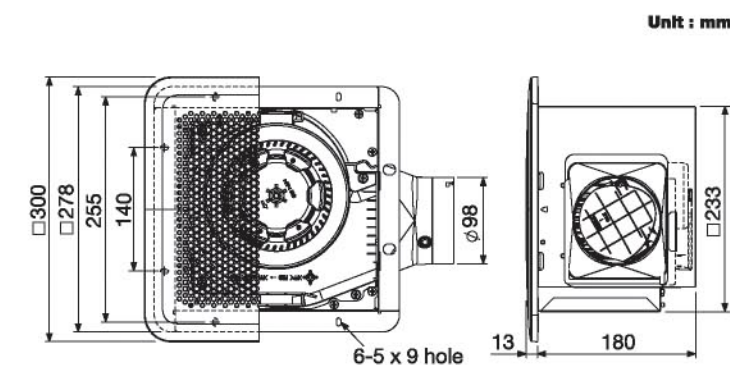
Ceiling Mount Ventilating Fan



Standard Series

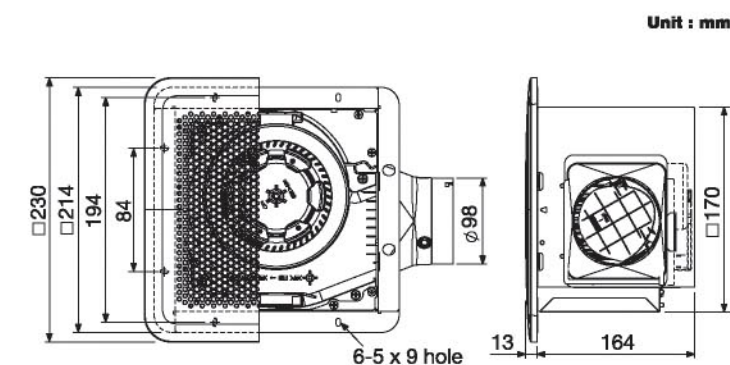
■ FV-24CU8 ■ FV-24CD8 ■ FV-24CH8

- HP (half pitch) motor with ball bearing
- Taper blade sirocco fan
- Curve-shaped backdraft shutter
- Super low noise level



■ FV-17CU8

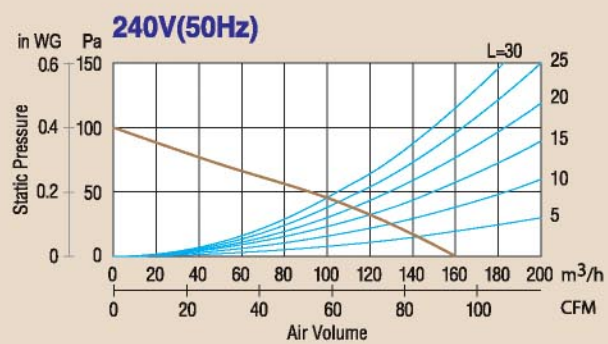
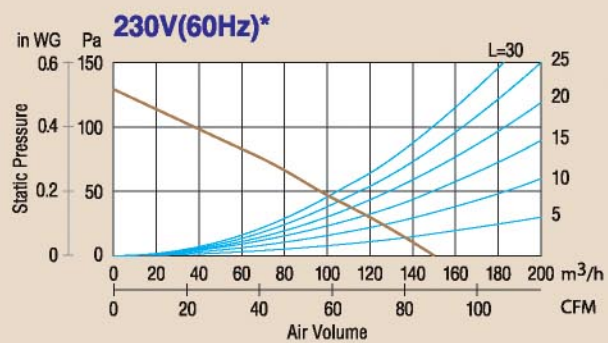
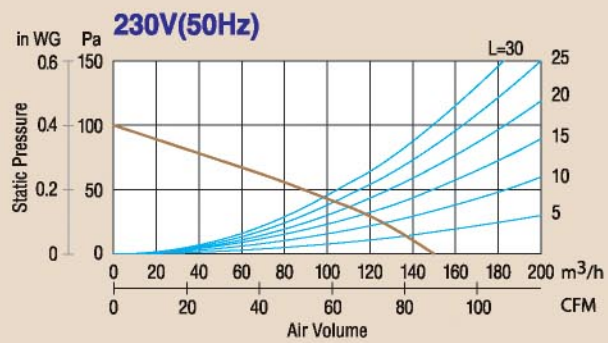
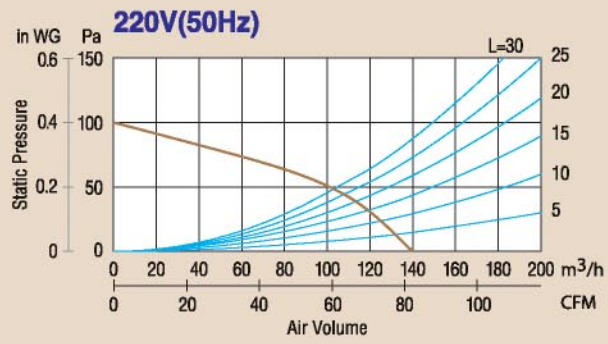
- HP (half pitch) motor with ball bearing
- Taper blade sirocco fan
- Curve-shaped backdraft shutter
- Super low noise level



Performance Data

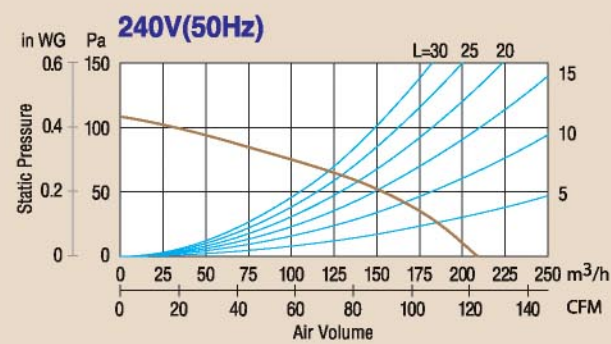
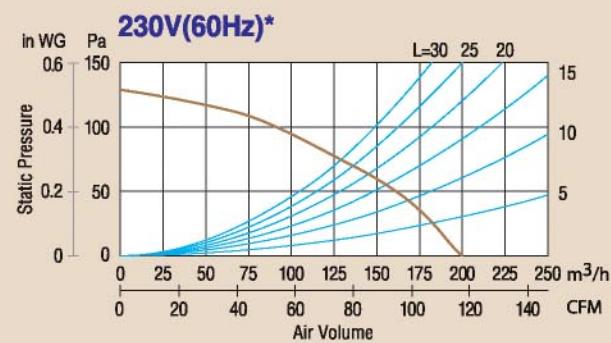
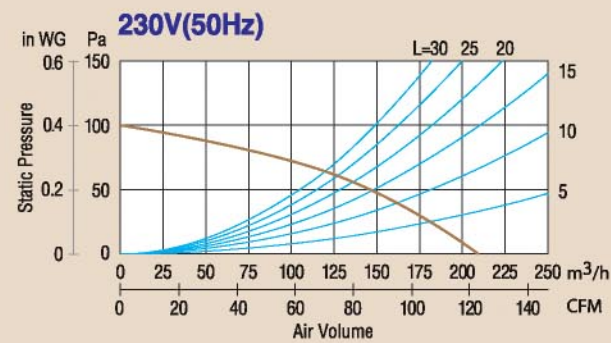
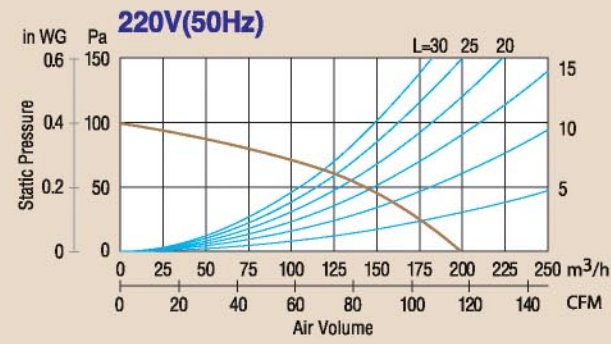
Sensor Series : FV-24CURV1 / FV-24CUR1

Standard Series : FV-24CU8

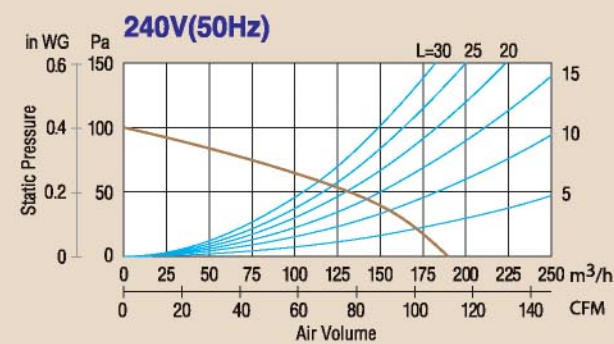
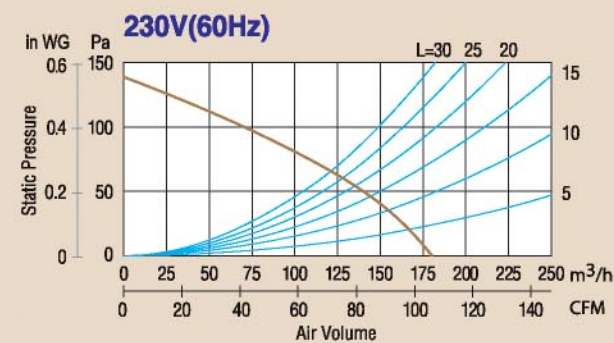
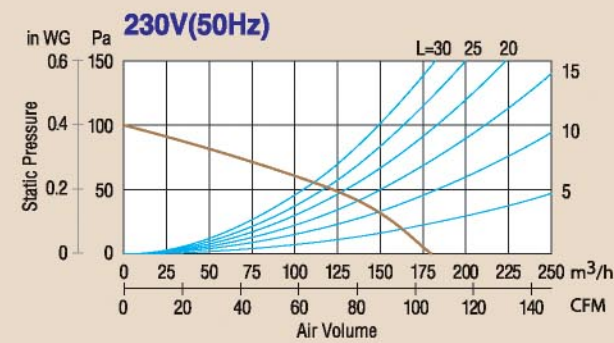
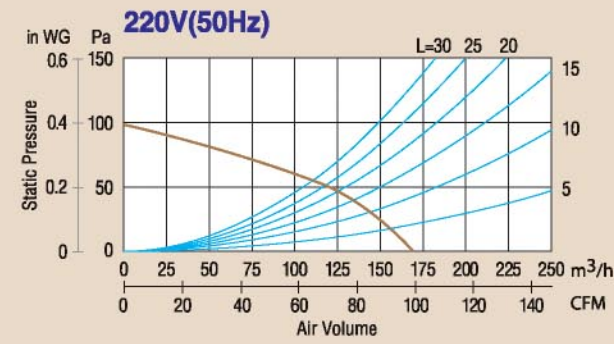


Sensor Series : FV-24CHR1 / FV-24CHR1

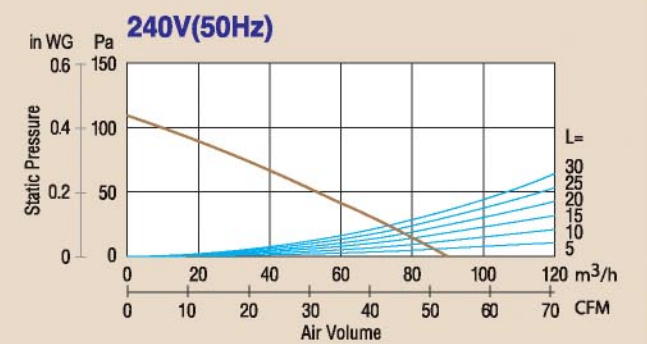
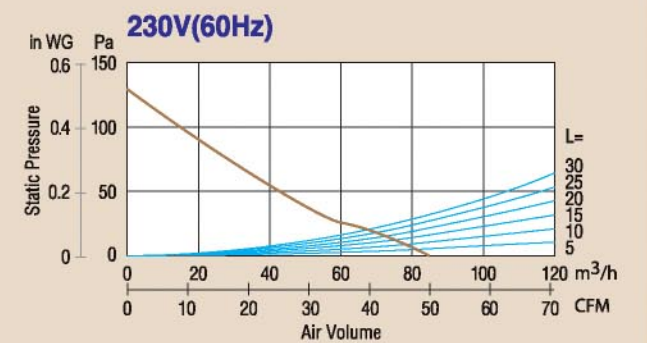
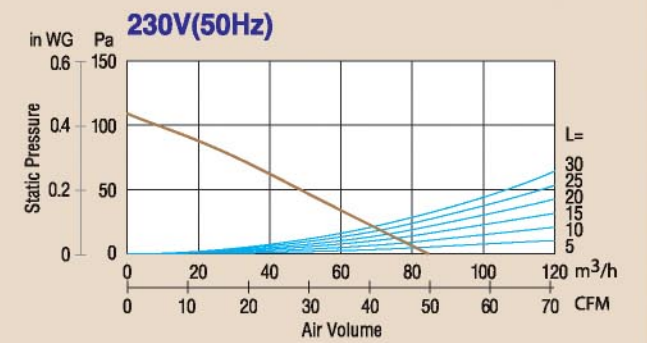
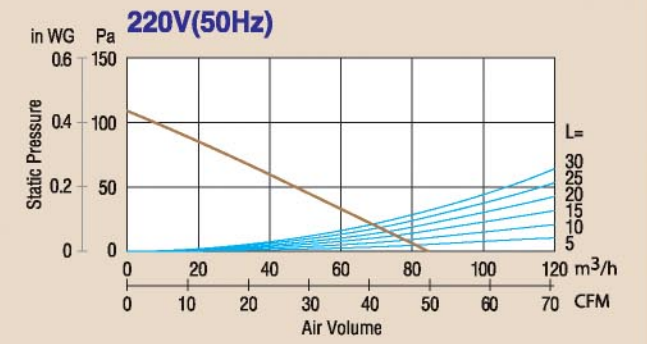
Standard Series : FV-24CH8



Standard Series : FV-24CD8



Standard Series : FV-17CU8



* Not available for Sensor Series